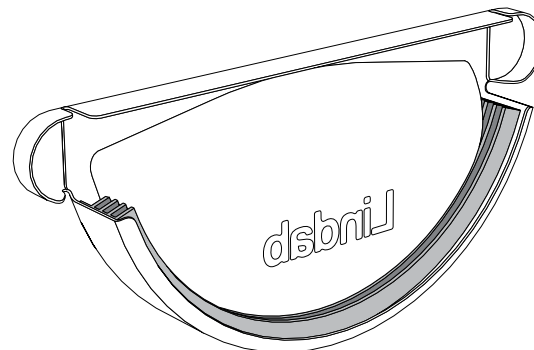
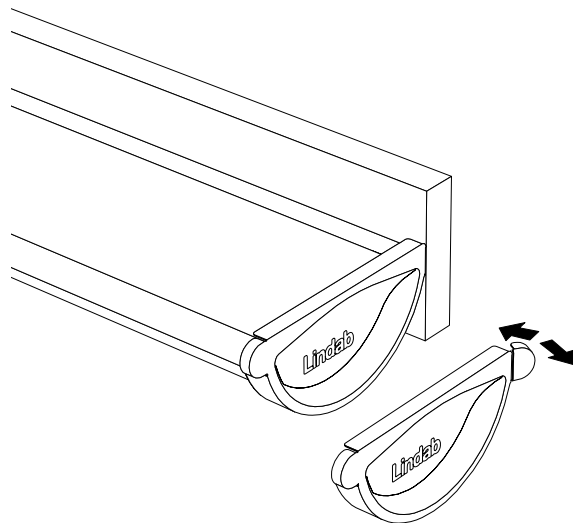




RG



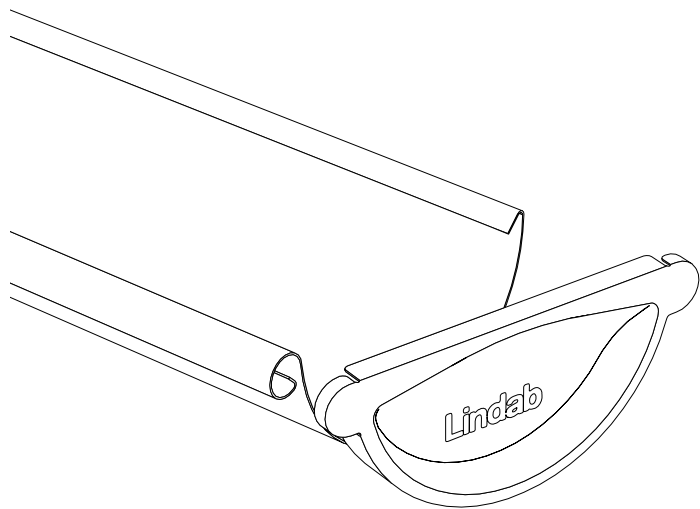
Lindab Profil AB

SE-269 82 Båstad
Phone +46 431 850 00
Fax +46 431 851 50

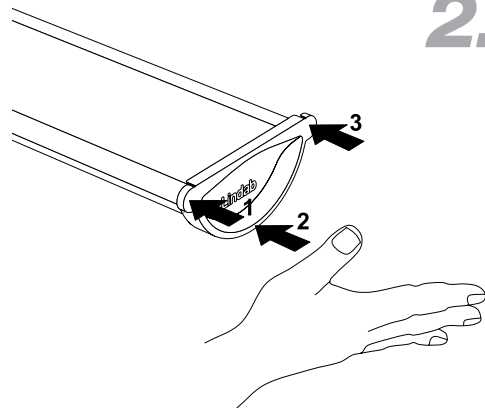


www.lindab.com

1.



2.



3.

